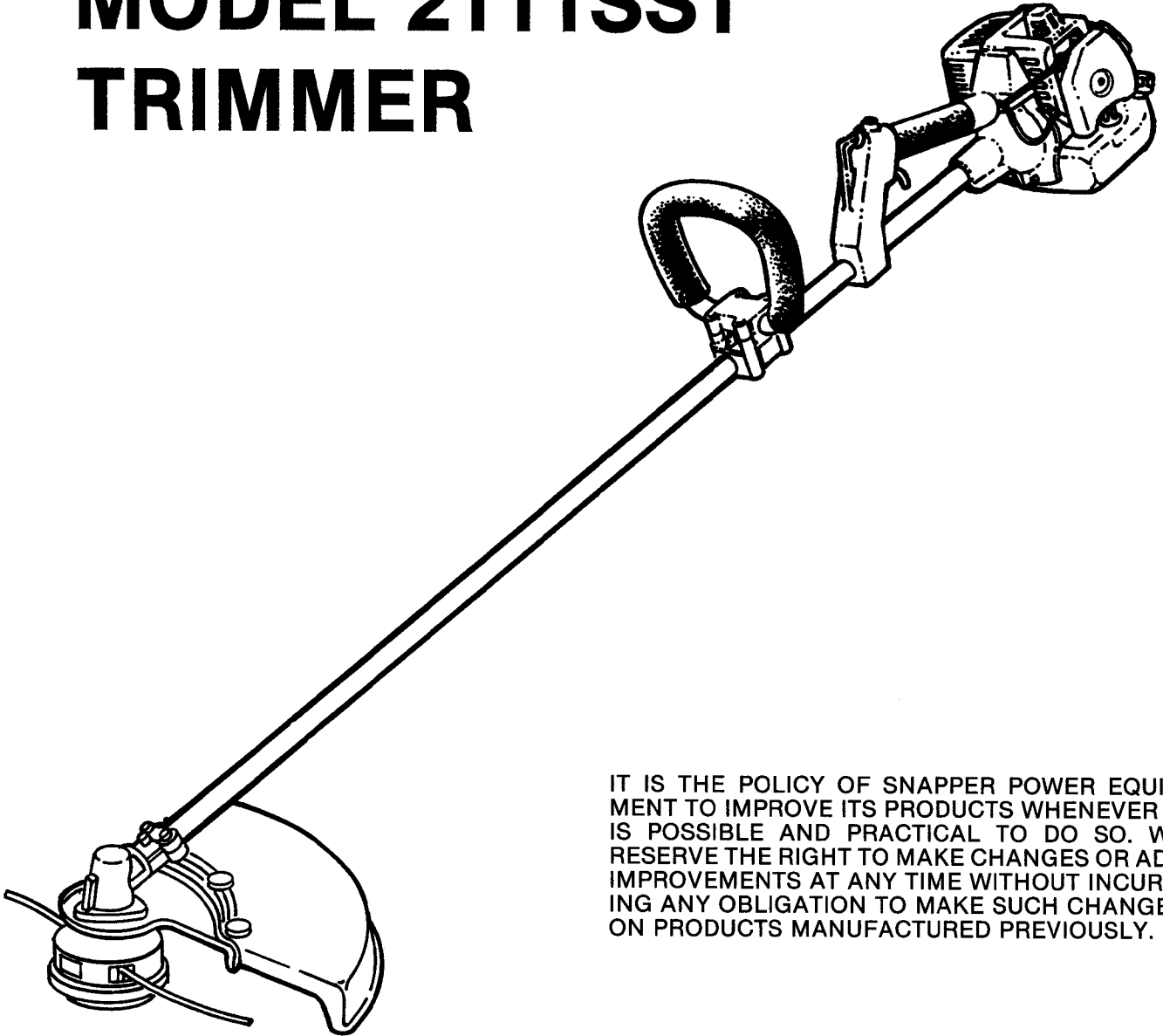


Parts Manual for

# **SNAPPER**<sup>®</sup>

## **MODEL 2111SST TRIMMER**



IT IS THE POLICY OF SNAPPER POWER EQUIPMENT TO IMPROVE ITS PRODUCTS WHENEVER IT IS POSSIBLE AND PRACTICAL TO DO SO. WE RESERVE THE RIGHT TO MAKE CHANGES OR ADD IMPROVEMENTS AT ANY TIME WITHOUT INCURRING ANY OBLIGATION TO MAKE SUCH CHANGES ON PRODUCTS MANUFACTURED PREVIOUSLY.

**SNAPPER POWER EQUIPMENT**

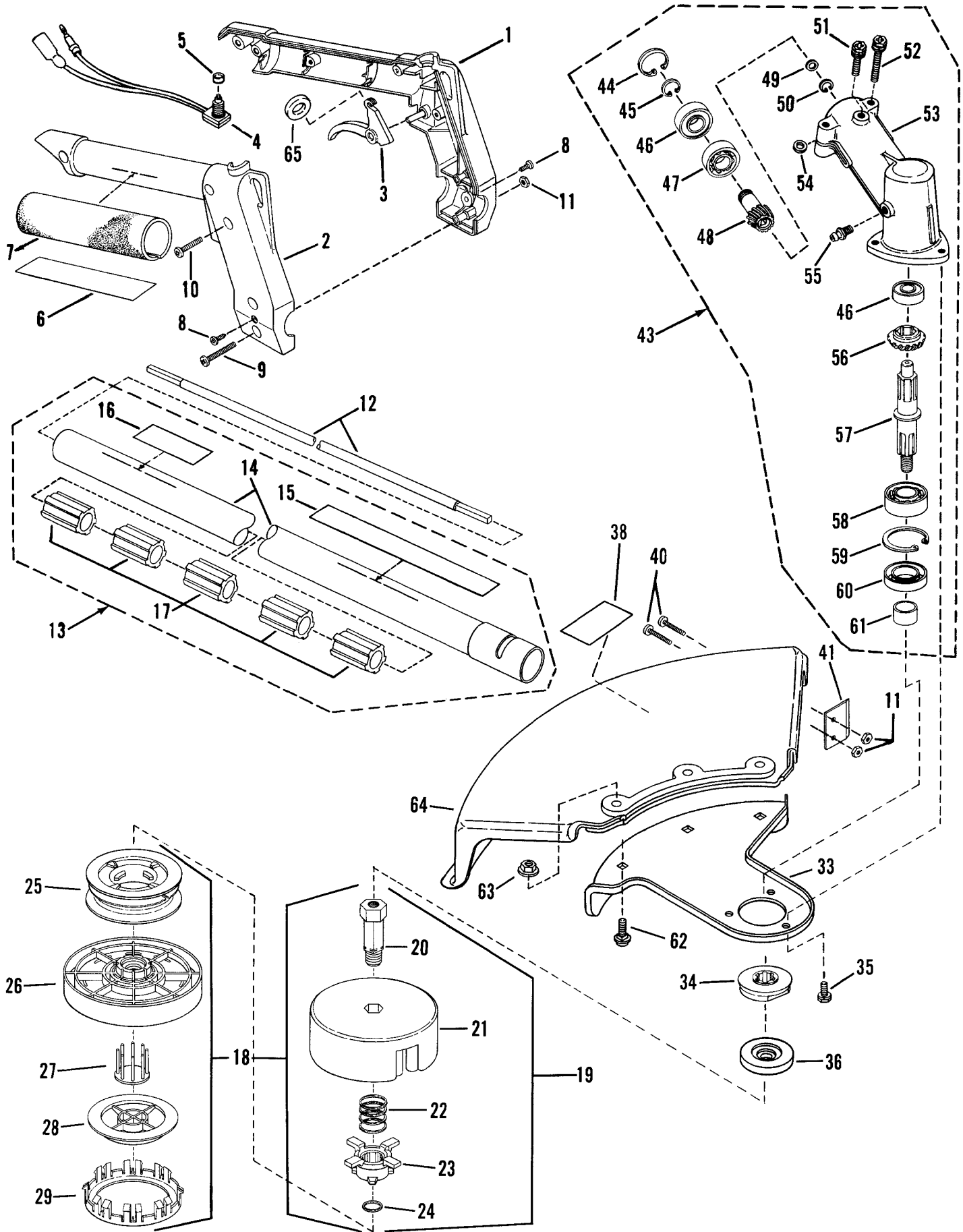
McDonough, GA., 30253 U.S.A.



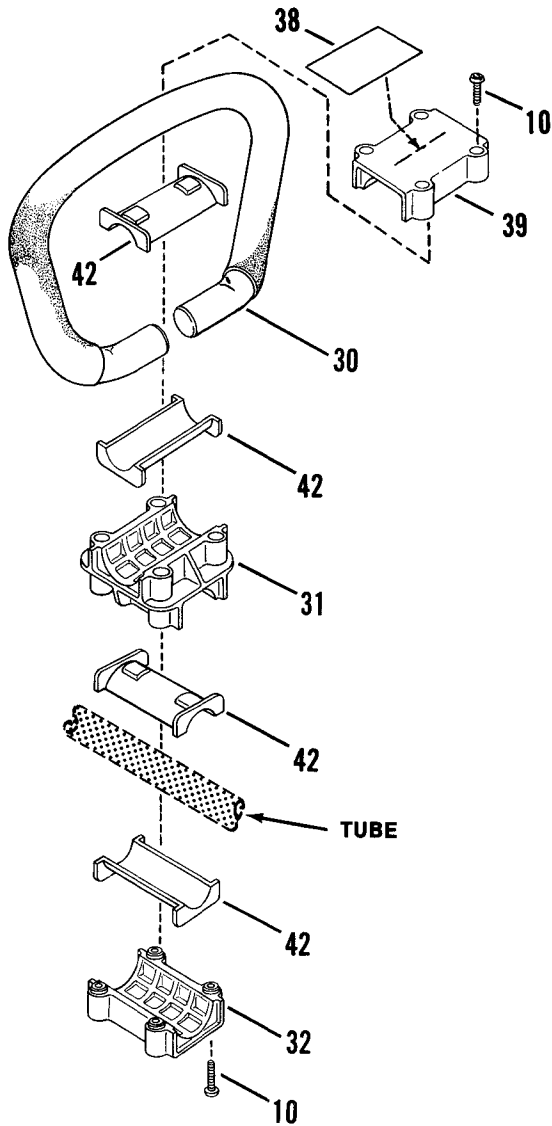
(REV. 1, 2/91)  
(REPLACES I.R. 3/90)

**MANUAL #06536**

# MODEL 2111SST TRIMMER



# MODEL 2111SST TRIMMER

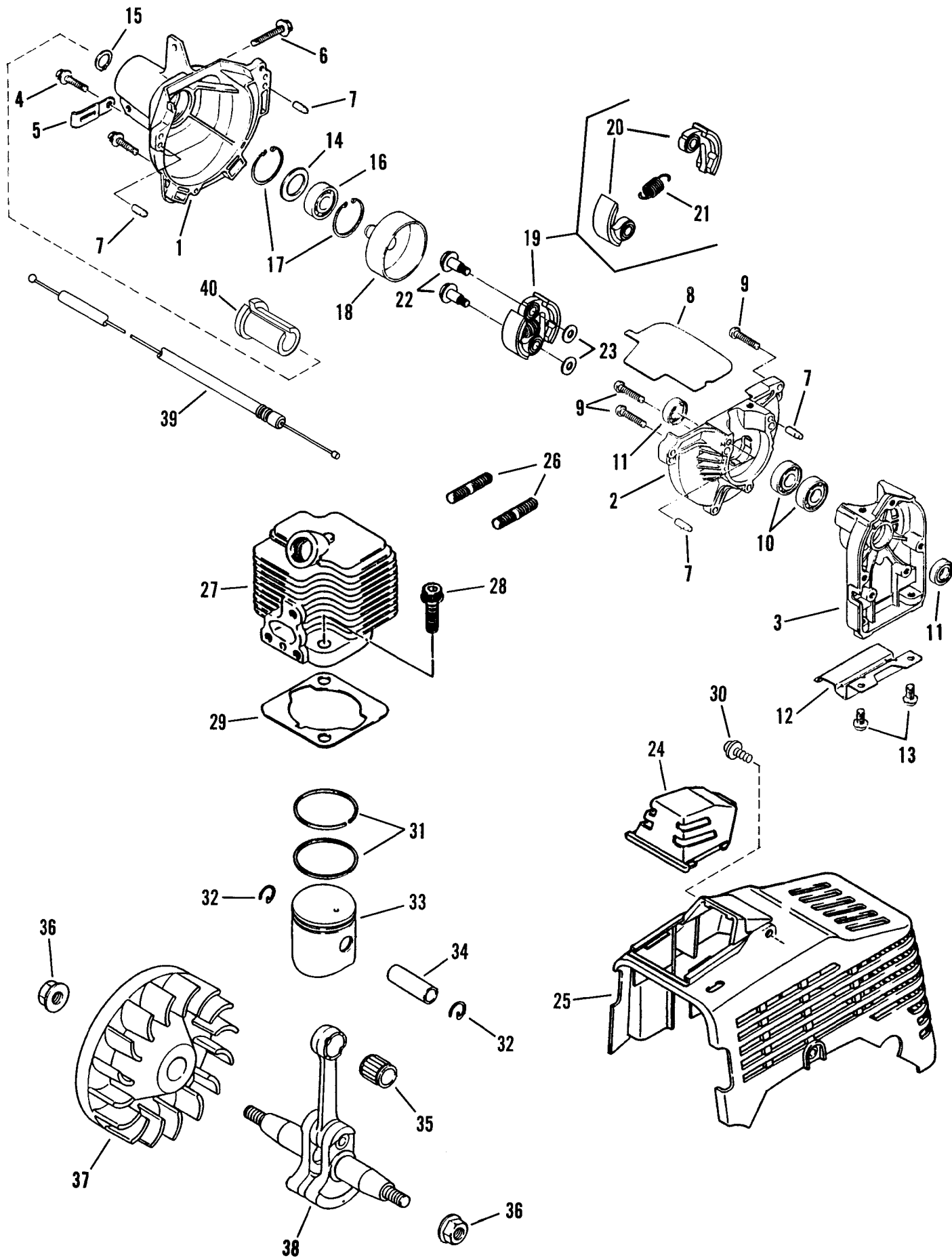


ITEM	PART NO.	DESCRIPTION
18	6-8166	ASSM'Y., Tap Head, Left Hand (Includes items 19 thru 29)
19	1-5910	ASSM'Y, Housing (Includes items 20 thru 24)
20	1-5904	ARBOR
21	1-5906	HOUSING
22	1-5907	SPRING
23	1-5908	INDEXER (Includes item 24)
24	1-5909	RETAINER, Wire
25	1-5912	SPOOL W/LINE
26	1-5913	BASE
27	1-5915	ACTUATOR
28	1-6526	KNOB
29	1-5917	RETAINER, Knob
30	5-1671	HANDLE ASSM'Y., Loop
31	1-7001	HANDLE MOUNT, Center
32	1-8909	HANDLE MOUNT, Cap (2)
33	3-2974	SHIELD, Steel
34	1-6468	HOLDER "A"
35	4-3963	BOLT, M5x10mm (3)
36	1-6469	HOLDER "B"
37	3-2974	SHIELD (Includes 1 of item 38)
38	1-7521	DECAL, Replacement Part
39	5-1738	HANDLE MOUNT ASSEMBLY (Includes 1 of item 38)
40	9-0906	SCREW, #10-32x3/8 (2)
41	5-1713	CUTTER, Line
42	1-5739	ISO-MOUNT (4)
43	4-3005	GEAR HEAD ASSM'Y., (Incl. items 44 thru 61)
44	4-3026	SNAP-RING, 26mm
45	4-3027	SNAP-RING, 10mm
46	4-3914	BEARING
47	4-3025	BEARING
48	4-3021	BEVEL PINION
49	4-3031	WASHER, Flat
50	4-3030	SNAP-RING, 10mm
51	4-3029	BOLT, M5x12mm Hex Hd.
52	4-3028	BOLT, M5x25mm H.H. (2)
53	4-3019	GEAR CASE
54	4-3032	SHIM (2)
55	4-3937	FITTING, Lube
56	4-3022	BEVEL GEAR
57	4-3020	SPLINE SHAFT
58	4-3913	BEARING
59	4-3917	SNAP-RING, 35mm
60	4-3912	SEAL, Oil
61	4-3023	SPLINE SLEEVE
62	9-0551	CARRIAGE BOLT, 1/4-20x5/8 (3)
63	9-0583	NUT, 1/4-20 Hex Lock (3)
64	1-6509	EXTENTION, Plastic Shield
65	1-5970	"O" RING

ITEM	PART NO.	DESCRIPTION
1	1-9761	HANDLE, Left Half
2	1-7003	HANDLE, Right Half (was 1-9760)
3	1-8854	TRIGGER
4	1-6492	SWITCH (Includes item 5)
5	1-5620	CAP, Switch
6	1-5134	STRIP, Adhesive (2)
7	1-5091	GRIP, Handle
8	9-0900	SCREW, TORX, #6x5/16" (2)
9	9-0901	SCREW, #10-32x7/8" (2)
10	9-0902	SCREW, #10-16x3/4" (12)
11	9-0885	LOCKNUT, #10-32 (4)
12	1-5467	SHAFT, Main
13	5-2069	ASSEMBLY, Tubing & Bushing (Includes items 14 thru 17)
14	*	TUBE
15	1-6411	DECAL-SNAPPER
16	1-7194	DECAL-WARNING (Eye Protection)
17	1-5517	ISO BUSHING (5)

\*Tube available only as assembly 5-2069 (Item 13)

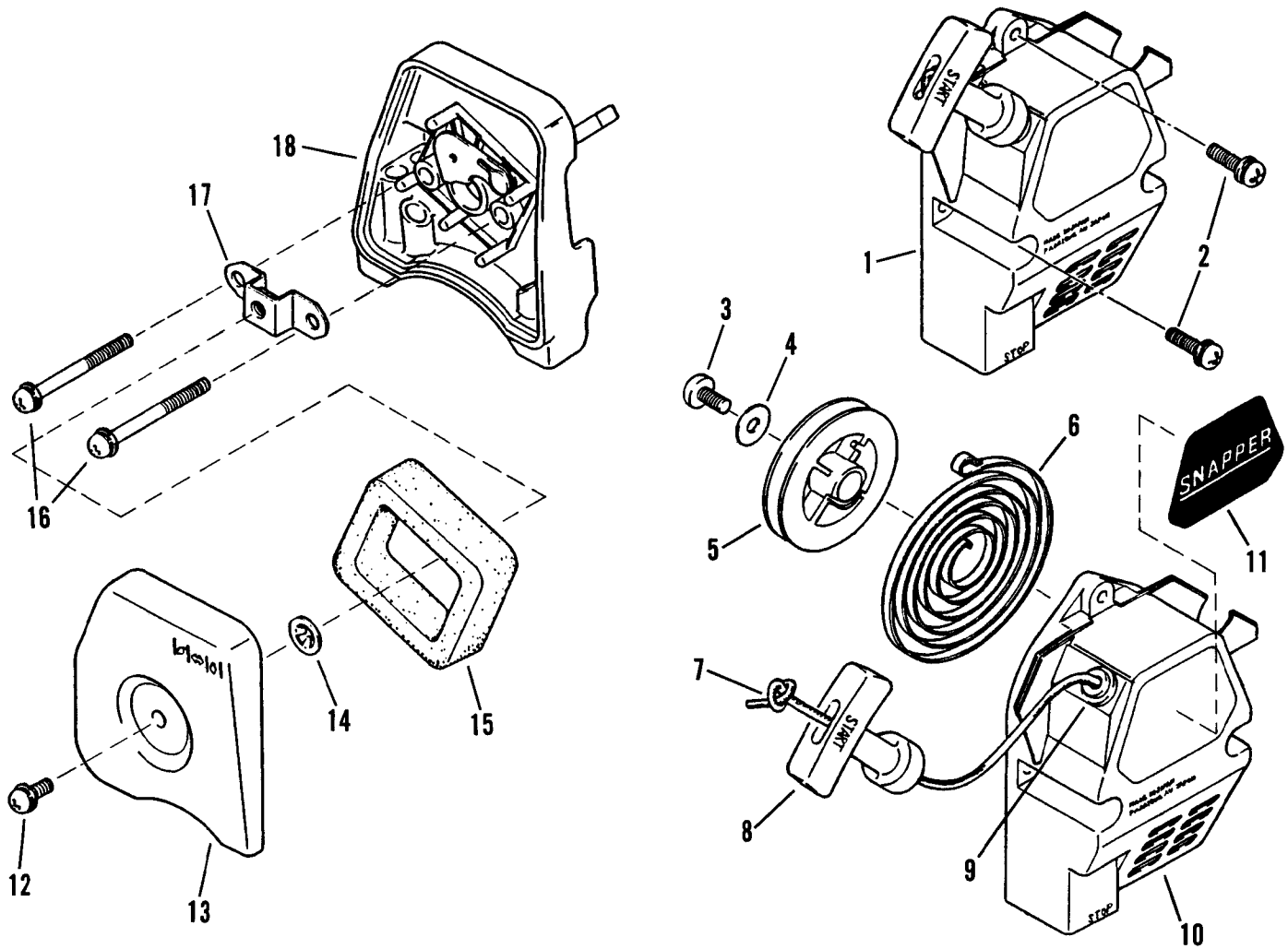
# MODEL 2111SST ENGINE PARTS



# MODEL 2111SST ENGINE PARTS

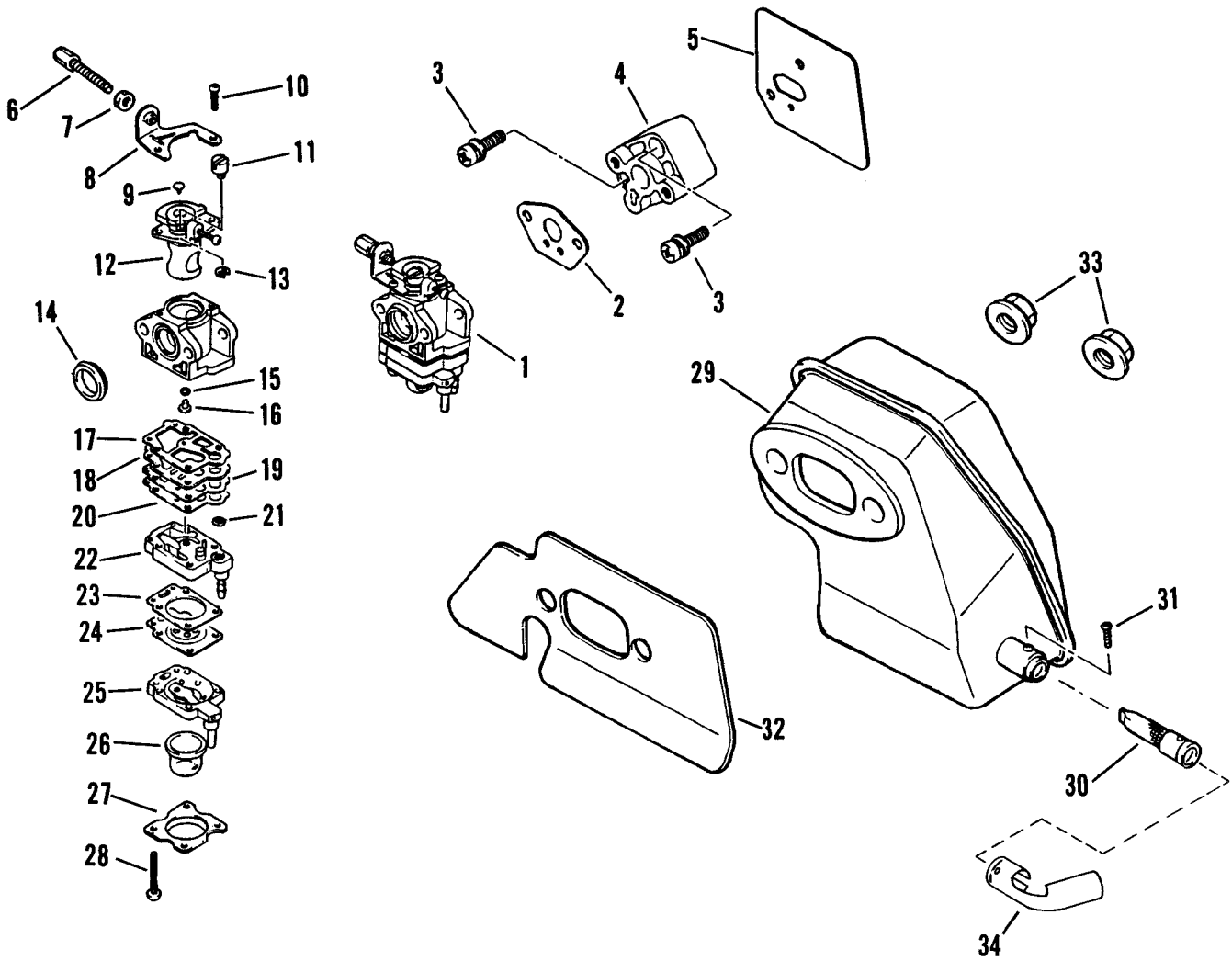
ITEM	PART NO.	DESCRIPTION
1	4-4268	CASE, Clutch
2	4-4385	CASE, Drive
3	4-4310	CASE, Starter
4	4-4034	BOLT/WASHER (3)
5	4-4295	CLAMP
6	4-4296	BOLT/WASHER
7	4-4307	PIN, Dowel (4)
8	4-4297	GASKET, Muffler/Tank
9	4-4308	SCREW, Cross Pan Head (3)
10	4-4309	BEARING, Ball (2)
11	4-4013	SEAL, Oil (2)
12	4-4298	STAND
13	4-4299	SCREW/WASHER (2)
14	4-4419	WASHER
15	4-4420	RING, Snap
16	4-4421	BEARING, Ball
17	4-4422	RING, Snap (2)
18	4-4423	DRUM, Clutch
19	4-4369	ASSEMBLY, Clutch (Includes items 20 & 21)
20	4-4366	FLYWHEEL (2)
21	4-4367	SPRING
22	4-4368	BOLT, Clutch (2)
23	4-4370	WASHER (2)
24	4-4424	GUARD, Spark Plug
25	4-4425	COVER, Top
26	4-4426	BOLT, Stud (2)
27	4-4427	CYLINDER
28	4-4316	BOLT, Flange (2)
29	4-4317	GASKET, Cylinder
30	4-4428	SCREW/WASHER
31	4-4404	RING, Top (2)
32	4-4319	CLIP, Piston Pin (2)
33	4-4405	ASSEMBLY, Piston (Includes item 34)
34	4-4406	PIN, Piston
35	4-4322	BEARING, Needle
36	4-4359	NUT, Conical Spring (2)
37	4-4429	FAN
38	4-4324	ASSEMBLY, Crank Shaft
39	4-4269	CABLE, Throttle
40	2-2092	ISO-Mount

# MODEL 2111SST ENGINE PARTS



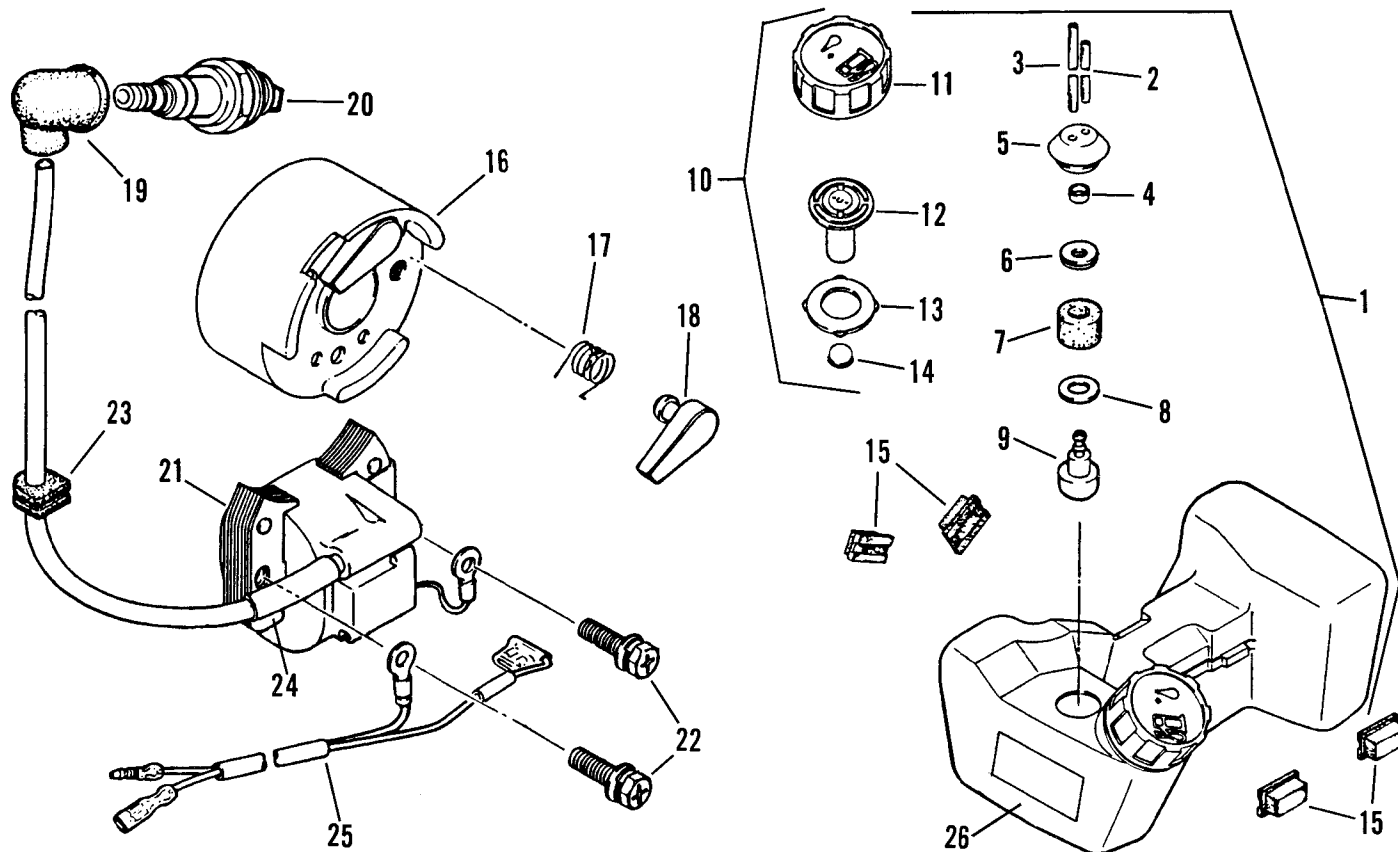
ITEM	PART NO.	DESCRIPTION
1	4-4477	ASSEMBLY, Recoil Starter (Includes items 3 thru 11)
2	4-4478	SCREW/WASHER (3)
3	4-4373	SCREW
4	4-4479	WASHER
5	4-4375	REEL
6	4-4376	SPRING
7	4-4377	ROPE, Starter
8	4-4115	KNOB, Starter
9	4-4480	GUIDE
10	4-4481	CASE, Starter
11	4-4294	LABEL, Snapper
12	4-4095	SCREW/WASHER
13	4-4466	COVER, Cleaner
14	4-4467	NUT
15	4-4468	ELEMENT, Cleaner
16	4-4056	SCREW/WASHER (2)
17	4-4470	BRACKET
18	4-4471	CASE, Cleaner (Choke is part of this assembly)

# MODEL 2111SST ENGINE PARTS



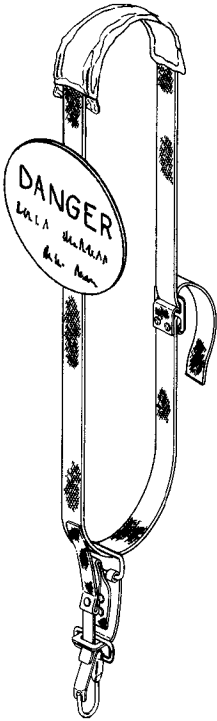
ITEM	PART NO.	DESCRIPTION	ITEM	PART NO.	DESCRIPTION
1	4-4438	ASSEMBLY, Carburetor (Includes items 2 thru 28)	18	4-4454	DIAPHRAGM
2	4-4439	GASKET, Carburetor	19	4-4455	PLATE
3	4-4549	SCREW/WASHER (2)	20	4-4456	GASKET
4	4-4440	INSULATOR	21	4-4457	SCREEN
5	4-4441	GASKET, Insulator	22	4-4458	BODY, Pump (Includes item 21)
6	4-4442	SCREW	23	4-4459	GASKET
7	4-4443	NUT	24	4-4460	DIAPHRAGM
8	4-4444	BRACKET	25	4-4461	BODY
9	4-4445	PLUG	26	4-4462	ASSEMBLY, Primer Pump
10	4-4446	SCREW (2)	27	4-4463	COVER
11	4-4447	HOLDER, Wire	28	4-4464	SCREW
12	4-4448	VALVE, Throttle	29	4-4473	MUFFLER (Includes 30 & 31)
13	4-4449	CLIP	30	4-4474	SPARK ARRESTER
14	4-4450	PACKING	31	4-4475	SCREW
15	4-4451	O-RING	32	4-4472	GASKET, Muffler
16	4-4452	JET, Main	33	4-4476	NUT, Flange (2)
17	4-4453	GASKET	34	4-4496	EXHAUST, Elbow

# MODEL 2111SST ENGINE PARTS

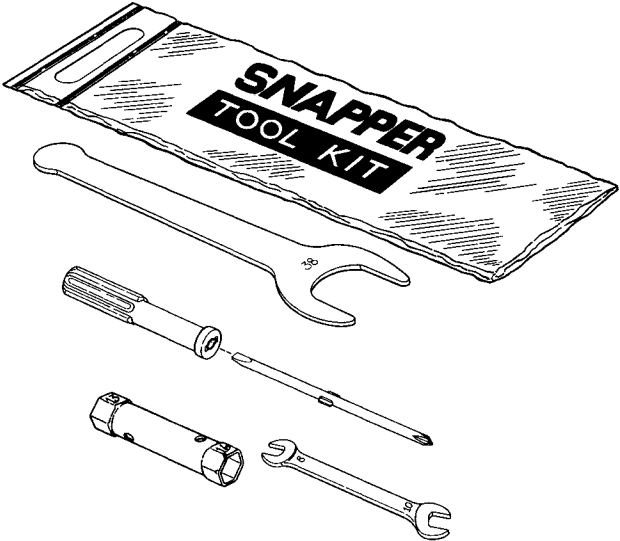


ITEM	PART NO.	DESCRIPTION
1	4-4495	ASSEMBLY, Fuel Tank (Includes items 2 thru 14)
2	4-4482	TUBE, Fuel
3	4-4483	HOSE, Fuel
4	4-4484	BUSHING
5	4-4490	PLUG
6	4-4491	WASHER, Seal
7	4-4492	FILTER, Fuel
8	4-4493	SEAL, Dust
9	4-4494	WEIGHT, Filter
10	4-4485	ASSEMBLY, Tank Cap (Includes items 11 thru 14)
11	4-4486	CAP, Fuel Tank
12	4-4487	VALVE, Breather
13	4-4488	PACKING
14	4-4489	CAP
15	4-4382	PAD (4)
16	4-4386	ROTOR (Includes items 17 & 18)
17	4-4431	SPRING, Return
18	4-4432	RATCHET
19	4-4430	CAP, Plug
20	-	PLUG, Spark (Champion CJ8)
21	4-4433	COIL, Ignition
22	4-4434	BOLT/WASHER (2)
23	4-4435	GROMMET
24	4-4436	TUBE
25	4-4437	ASSEMBLY, Wire Lead
26	4-2102	DECAL, Fuel Mix





**SHOULDER STRAP NO. 1-6697**



**TOOL KIT NO. 4-3980**

**GOGGLES NO. 1-9228**

ΣΠ-ΙΟΖ



Parts Manual for

# **SNAPPER<sup>®</sup>**

---

## **MODEL 2111SST TRIMMER**

**SNAPPER POWER EQUIPMENT**  
McDonough, GA., 30253 U.S.A.



**MANUAL #06536**

**(REV. 1, 2/91)  
(REPLACES I.R. 3/90)**